

GRAVITY FILTER FOR SALE

If your processing facility does not have a vertical separator then you need to filter your oil to remove any vegetable matter or other impurities still contained in the oil.

Very easy to use.

Simply line the perforated base with cotton filter medium and pour your olive oil into the top section of the filter unit.

The oil seeps through the cotton into the lower holding tank. Sediment is caught in the cotton layer while the clean olive oil can then be drawn off into other tanks, containers or bottles.

Manufactured from 2mm 304 Stainless Steel Sheet.

Overall height 1,042 mm

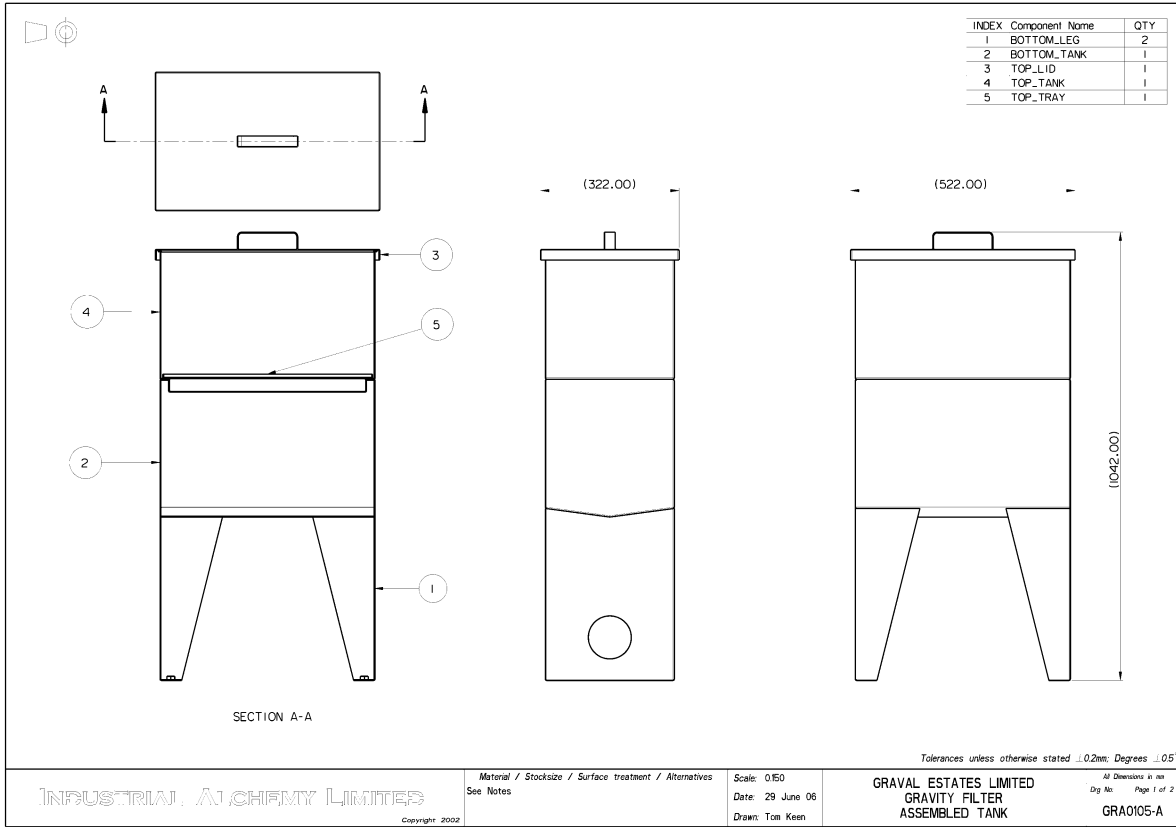
Width 322 mm

Capacity approx 45 litres

Price - \$950 plus GST

Contact - Graham Keen - grahamkeen1@gmail.com - tel 03 312 5178





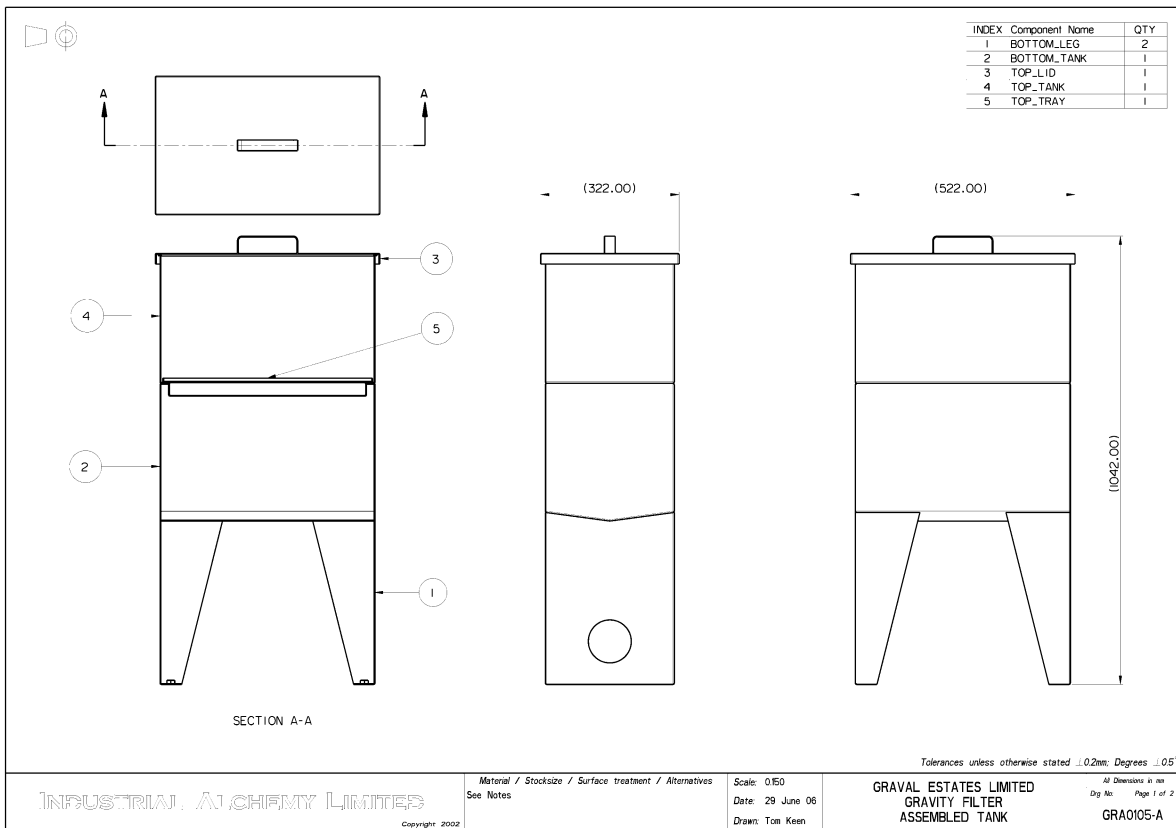
INDUSTRIAL CHEMISTRY LIMITED
Copyright 2002

Material / Stocksize / Surface treatment / Alternatives
See Notes

Scale: 0:150
Date: 29 June 06
Drawn: Tom Keen

GRAVAL ESTATES LIMITED
GRAVITY FILTER
ASSEMBLED TANK

All Dimensions in mm
Dwg No: Page 1 of 2
GRA0105-A



INDUSTRIAL CHEMISTRY LIMITED
Copyright 2002

Material / Stocksize / Surface treatment / Alternatives
See Notes

Scale: 0:150
Date: 29 June 06
Drawn: Tom Keen

GRAVAL ESTATES LIMITED
GRAVITY FILTER
ASSEMBLED TANK

All Dimensions in mm
Dwg No: Page 1 of 2
GRA0105-A